

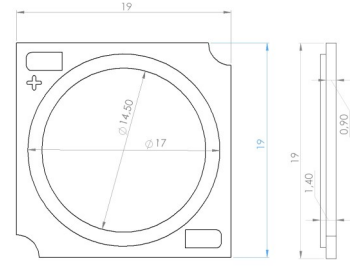
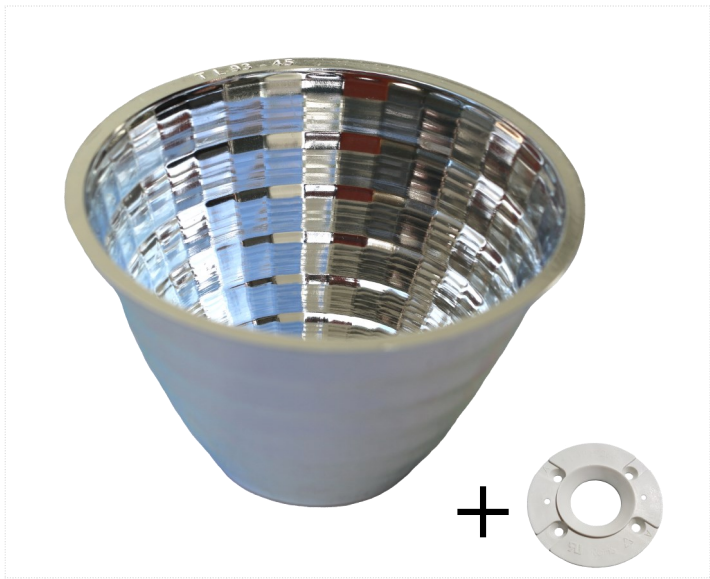


ANODIZED ALUMINUM

Code : TL - 93 - 45 Degree : 45° ±3%



Used LED



ALL LED Light



RoHS

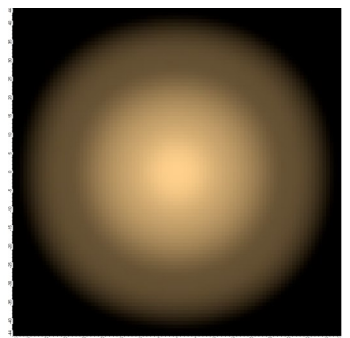
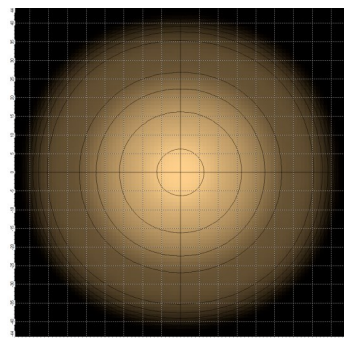
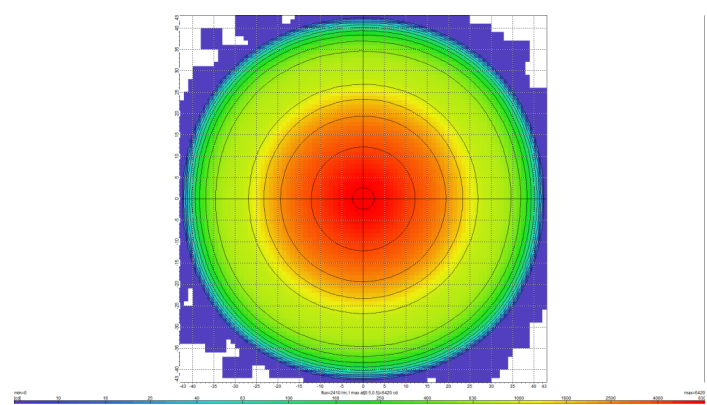
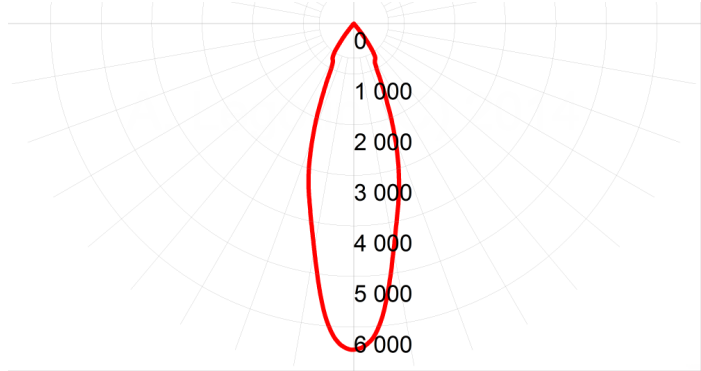
UV

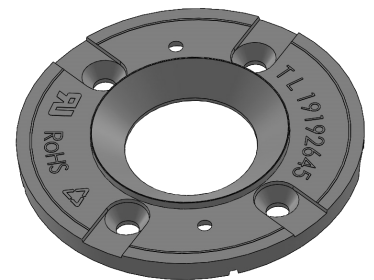
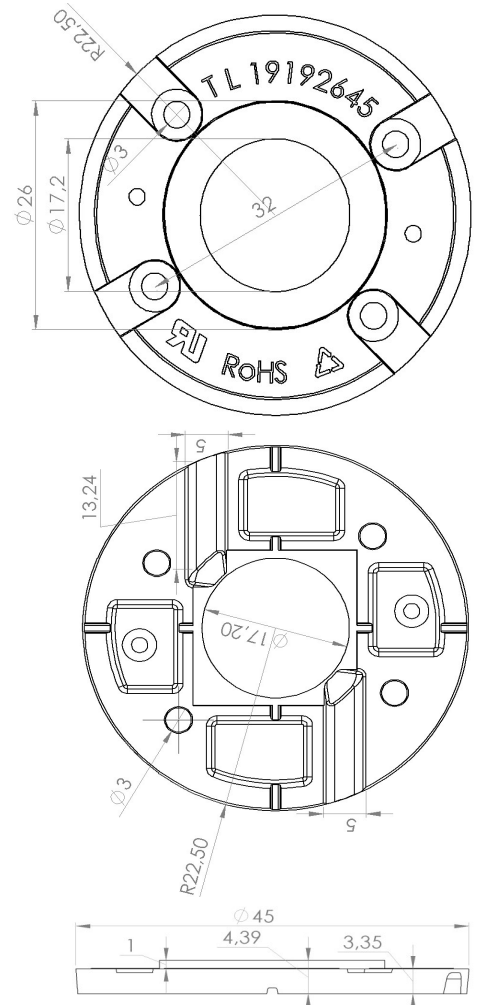
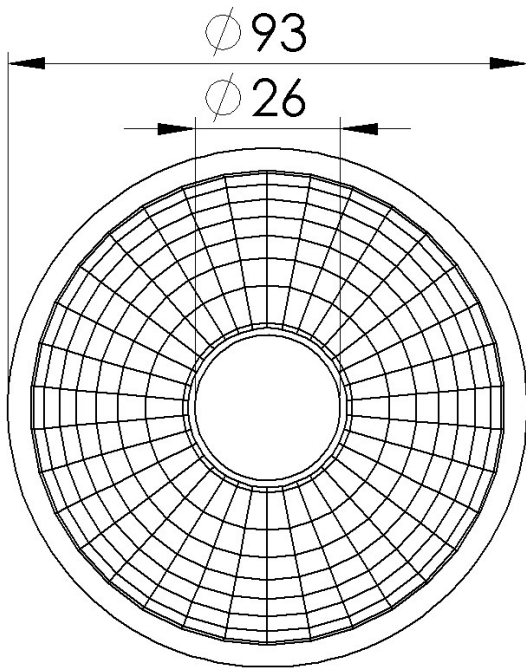
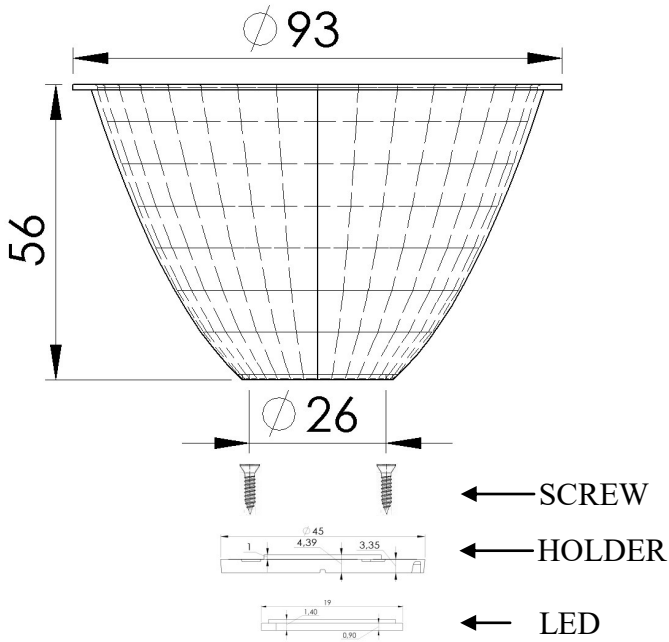
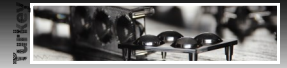


Box Quantity : 80 PCS
Box Size : 24*24*15 cm
Box Total Kg +/-3% : 1.9 Kg

TECHNICAL DATA

HOLDER Nylon resins are general purpose polyamide, heat stabilized, hydrolysis resistant, **30% Glass** fiber reinforced resins.
-40°C ~ +150°C ROHS, UV & UR





General information

TURLENS Custom Optical Design & Manufacture (Lens for LED's) All technical data contained in this document are properties of "TURLENS". Turlens may subject to change the content without prior notice.

Assembly info.

- *If adhesive is used, make sure that the adhesive is acid-free., *If you need to clean the lenses, use only mild soap and water.,
- *Use very soft cloth to dry., *Do not use any solvents on lenses., *Our product is guaranteed against manufacturing defects only.,
- *Do not store the product in a dusty & corrosive environment., *Do not touch the optical portion of the lens with your bare hands.